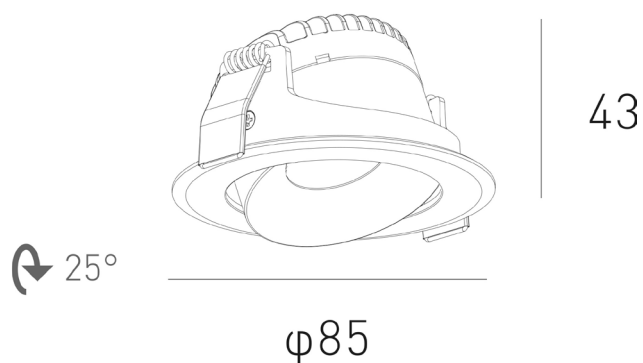


Datasheet

Type: NS16
Itemnr.: 1600410930001



Technical Data

Lumen	550lm
Beam Angle	40 (optic)
Colors Available	Warm white, Neutral white
Color Temperature	2700K, 3000K, 4000K or Dim-to-warm
Color Rendering	CRI90 (option CRI95)
MacAdam	Step 3 (Option Step 2)
Consumption	6.5W
Voltage Range	220 ~ 240VAC 50/60Hz (external driver)
Current LEDs	350mA
PF Power Factor	>95 @ Full load
Flicker	<1 % Flicker free (IEEE Std. 1789-2015)
10A Fuse Type C	Max. 31 luminaires (Start Current limit)
Leakage current	< 0,5mA @ 240V AC (custom possible)
Efficiency	85 LPW (LEDs 120 LPW)
Equal To	NS16 6.5W = Halogen lamp QT 50W
Lifetime TM-21	30K hours at Ta = 25°C (L80) B10
Lifetime LEDs	60K hours at Ta = 25°C (L90) B10
Lifetime driver	50K hours at Ta = 25°C (MTBF) B10
Dimmable	Yes leading edge (Option DALI or 1-10V)
IP Code	IP44
IK Class	IK08
Class	2, Double Insulated
Working temp	-20 to 45 degree Celsius
Size	Ø85*H143 cut off Ø80mm
Installation	Recessed, one driver for each luminaire
Linkable cables	Incl. cable terminal box for two cables
Material used	Aluminum, ABS plastic Baffle, Steel clips
Weight	0,5 Kg
Shipping	Package of 48 pcs
IES File	Yes
Certificates	CE, ROHS, TM21, LM80, IES
Other	ENEC, only for DALI driver unit
Warranty	5 years*
Housing	White, black, silver or optional RAL colors
Included	Complete lamp housing, LEDs, driver

Lumega Europe ApS
Phone +4571995825
info@lumega.eu
www.lumega.eu

