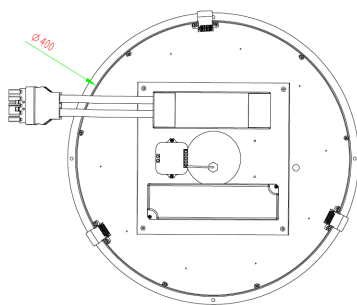


Datasheet

Type: NS42
Itemnr.: 4200310930001



Technical Data

Lumen	2400lm, 3600lm or 4000lm \pm 5 %
Beam Angle	110 (Frontglass opal or microprismatic)
Colors Available	Warm white, Neutral white or Cold white
Color Temperature	3000K, 4000K, 5000K (opt. tunable white)
Color Rendering	CRI80 (Option CRI90)
MacAdam	Step 3
Consumption	20W, 30W or 40W
Voltage Range	220 ~ 240VAC 50/60Hz (internal driver)
Current LEDs	350mA - 700mA
PF Power Factor	>95 @ Full load
10A Fuse Type C	Max. 22 luminaires (Start Current limit)
Flicker	<1 % Flicker free (IEEE Std. 1789-2015)
Efficiency	120 lm/W (LEDs 200 lm/W)
Equal To	LED 20W = Fluorescent tube TC-TEL 31W
Lifetime LEDs	100K hours at Ta = 25°C (L80) B50
Lifetime driver	100K hours at Ta = 25°C (MTBF) B50
Dimmable	DALI, DALI V2 DT8, 1-10V, Philips Easyair
IP Code	IP20 (Front IP44 surface mounted vers)
IK Class	IK05 (Option IK10)
Class	2, Double Insulated
Working temp	-20 to 45 degree Celsius
Size	Ø320mm, Ø420mm, 520mm (H92mm)
Hole size	Pending on size (will be specified)
Installation	Recessed mounted
Linkable cables	Yes, terminal (5 pol)
Material used	Aluminum, PC for frontglass
Weight	0,3 Kg - 3.2 Kg
Shipping	Package of 1 - 18 pcs
IES File	Yes
Certificates	CE, ROHS, LM80, LM79, IES
Other	ENEC, only for driver unit
Warranty	5 years* (Covered by Lumega Group)
Housing	White, Black, Silver or optional RAL Colors
Included	Complete lamp housing, LEDs, driver



Lumega Europe ApS
Phone +4571995825
info@lumega.eu
www.lumega.eu